



Houston
Section

May Newsletter 2008

ELECTRO *Pneus*

RSVP On the Houston Section website:
www.houstonisa.org or call: 713-684-1414 x1104

Price: \$20 with RSVP by Monday , May 12, 2008
\$25 without RSVP



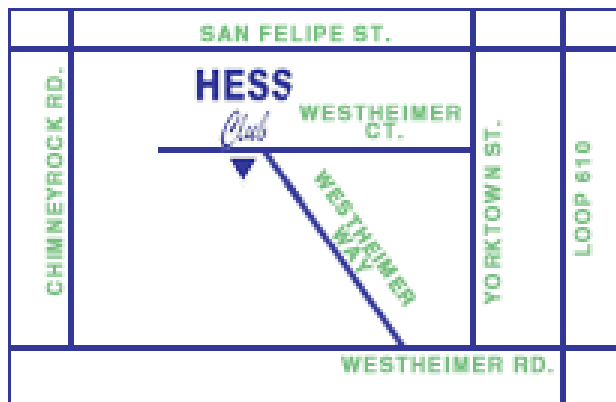
Time: 5:30 PM – Registration
6:00 PM - Dinner
6:30 PM— Presentation

Place: HESS Club
5430 Westheimer Way

General Meeting Houston Wednesday – May 14, 2008

Speaker: William Goble has over 30 years of professional experience and is a principal partner at *exida* (www.exida.com). His areas of expertise include safety and high availability automation systems, automation probabilistic analysis, new product development and market analysis. He developed techniques used for probabilistic evaluation of safety and high availability automation systems. He has written three books on topics of automation safety and reliability. He is an ISA Fellow. He has published many papers and magazine articles, including "Do you really want to?" in the February 2008 issue of *InTech* magazine. Dr. Goble has a BSEE from Penn State, a MSEE from Villanova and a PhD from Eindhoven University of Technology in Eindhoven, Netherlands.

Topic: The trend toward IEC 61508 certified instrumentation is rapidly growing. This presentation describes process an instrument manufacturer must go through to get an IEC 61508 certification. Experiences from dozens of real instrumentation projects will point out the benefits choosing IEC 61508 certified instruments. These include high design quality and safety integrity. The tradeoffs between equipment justification based on "Prior Use" and IEC 61508 certification will also be reviewed.





HOUSTON

Section

President's Corner



**Doug Berry, President
ISA Houston Section**

President's Corner

Greetings,

Spring has arrived. I've learned to appreciate Houston springs for what they usually are, long and in large part what makes it worth enduring the Houston summer for. I hope everyone has enjoyed their spring as much as I have.

Our spring golf tournament at Sweetwater was successful again. Numerous volunteers helped out here headed up by Michele Blackburn and Bill Meeks – thanks to everyone involved and all the sponsorship companies for their support.

We will vote to elect next year's slate of Houston Section officers at this month's general meeting. The nominated positions are shown in this month's Electropneus newsletter. There are several open assistant board positions. These spots are good "entry level" ISA board positions that would offer someone a chance to serve without a major time commitment (i.e. less than 40 hours per week – just kidding). The positions are:

Please get in touch with me if you're interested in helping out your favorite local ISA non-profit organization!

Please join us at our May and June meetings – the last before our summer siesta.

Yours truly,

Doug Berry

Calendar of Events

Houston Section

General Membership Meetings and Events

At HESS Club—5430 Westheimer Way— unless otherwise noted

Houston Chapter General Meeting

May 14, 2008

Wednesday, 5:30 PM

Speaker: Dr. William M. Goble C.F.S.E.

Topic: The trend toward IEC 61508 certified instrumentation is rapidly growing. This presentation describes process an instrument manufacturer must go through to get an IEC 61508 certification. Experiences from dozens of real instrumentation projects will point out the benefits choosing IEC 61508 certified instruments. These include high design quality and safety integrity. The tradeoffs between equipment justification based on “Prior Use” and IEC 61508 certification will also be reviewed.



Analysis Subsection Meetings & Events

At Brady's Landing

For Information contact Steve Smith

281-482-4334 or sales@processanalytical.com

ICCS Monthly Meetings

At the HESS Club – 5430 Westheimer Way – unless noted

For Information Contact Joseph James, 832-217-2230 or josephajamesj@sbcglobal.net

Meeting Location: Quality Inn, North Richey at Hwy 225 Just North of Hwy.

5:15 Social 6:00 Dinner

Pipeline Subsection

At the HESS Club – 5430 Westheimer Way – unless noted

For Information contact Lisa James, 713-464-1642 or ljames@lemc.com

UH Student Subsection

Central UH Campus

6:00 PM—7:30 PM

For Information contact Chan Miller, 281-249-263

National & International

ISA Expo 2008

October

Houston ISA Board Nominees & Volunteers

ELECTED OFFICES: 2007-2008

PRESIDENT
VICE-PRESIDENT
TREASURER
ASSISTANT TREASURER
SECRETARY
PROGRAM DIRECTOR
NEWSLETTER EDITOR
MEMBERSHIP DIRECTOR
PUBLICITY DIRECTOR
EDUCATION DIRECTOR
WEBMASTER
PAST PRESIDENT
NATIONAL DELEGATE

APPOINTED OFFICES:

PARLIAMENTARIAN & HISTORIAN
STANDARDS & PRACTICES LIAISON
SECTION / DIVISION LIAISON
STUDENT SECTION LIAISON
ANALYSIS SUBSECTION LIAISON
PIPELINE SUBSECTION LIAISON
FALL PROGRAM CHAIR
ASST FALL PROGRAM CHAIR
SPRING PROGRAM CO-CHAIR
SPRING PROGRAM CO-CHAIR
PHOTOGRAPHER
HOST COMMITTEE CHAIR
HOST COMMITTEE SPOUSE CHAIR
ASST MEMBERSHIP DIRECTOR
ASST EDUCATION DIRECTOR
ASST STUDENT SECTION LIAISON
ASST PROGRAM DIRECTOR
ASST WEBMASTER
AUTOMATION COLLEGE CHAIR

NOMINATED OFFICERS: 2008-2009

Ken Belteau
Paul Abernethy
Mike Huereca
Dale Merriman
Chan Miller
Shane Bernard
Bill Sullivan
Amr Neamatalla
Walt Clingo
Ardis Bartle
Clifford Wuertz
Doug Berry
Fateh (TJ) Tajani

APPOINTED OFFICERS 2008 –2009

Les Kane
Michael Cannon
L.M. "Dutch" Keen
Joe James
Dale Merriman
Andy Trawick
Stacey Smith
Lynn Virgilio
Michelle Blackburn
Bill Meeks
Henry Troth
John Campbell
Mary Margaret Keen
Open
Open
Roy Thoppil
Open
Bernie Kent
Mark Hurley

COMPANY

Spectra Energy Transmission
GE Energy
Rawson
MerTech Incorporated
Technip
Sensys
Instrument TAGS
Washington Group
Mustang Engineering
Apex Measurement
Mustang Engineering, L.P.
Flow Solutions
Universal Ensco

Gulf Publishing

Industrial Equipment
Keen CSE, Inc.

MerTech Incorporated
Universal Ensco
Maverick Engineering
Air Liquide
MRAMCO
Flow Solutions
S&B Engineers
ConocoPhillips

Flow Solutions

Houston ISA Section April Meeting



Houston Chapter ISA Training

The ISA Houston Section has partnered with the OPC Training Institute (OPCTI) to offer members the opportunity obtain their Certified OPC Professional designation while supporting the local ISA Scholarship Program.

The Certified OPC Professional (COP) designation is awarded to professionals who have demonstrated their proficiency with OPC technology, design, architecture and installation.

OPCTI will be conduct Level 1 & 2 hands-on training in Houston during the week of June 17, 2008. Register to attend the training and OPCTI will contribute to the local ISA Scholarship Program.

Houston, TX

Level 1: OPC & DCOM Diagnostics: June 17 & 18, 2008

Level 2: OPC System Architecture: June 19 & 20, 2008

Register and more information:

<http://www.opcti.com/training/coursedetails/houston170608.asp>

To enable accurate tracking, please enter the promo code "ISA_MEMBER" into the comments section of the registration form.

Earn your Certified OPC Professional Level 1 & 2 designations. By attending this training, you'll gain a thorough understanding of OPC technology and be guided through the complexities of Windows Security setup, DCOM configuration, troubleshooting and system architecture:

- Learn about OPC specifications (including OPC Unified Architecture)
- Setup and configure Windows DCOM security
- Share data between Windows Domains and Workgroups
- Diagnose connectivity issues and solve DCOM problems
- Apply OPC Best Practices to avoid common pitfalls
- Design an OPC communication infrastructure that handles both real-time and historical data
- Build in reliability by gracefully recovering from network disruptions using standards-based technology
- Recover from data that would normally be lost due to prolonged network failures
- Ensure high availability using redundancy
- Test the integrated system
- Understand OPC Best Practices to avoid common pitfalls

Secure your seat for the upcoming workshop here (Promo Code: ISA_MEMBER):

<http://www.opcti.com/training/coursedetails/houston170608.asp>

Need more information? Contact OPCTI directly through their website at www.opcti.com or speak directly with one of their training specialists at 1-780-784-4443.

Standards & Practices

Standards & Practices

Public review is currently underway for the following:

Proposal to include “Canada only” clauses within the following:

*ANSI/ISA-61010-1, Safety Requirements for Electrical Equipment for Measurement Control, and Laboratory Use – Part 1: General Requirements

Due to its large size, ANSI/ISA-61010-1 was not posted, but if you would like to view a copy to assist in your review of the proposal, please contact Eliana Beattie (below).

Please return any comments on or before JUNE 6, 2008. You may send comments via e-mail, postal mail, or fax your comments back to the address below:

Eliana Beattie
ISA Standards
Tel: 919-990-9228
ebeattie@isa.org
ISA-The Instrumentation, Systems, and Automation Society
67 Alexander Drive, Research Triangle Park, NC 27709
Fax: 919-549-8288

Please contact Mike Cannon of the Houston Section at 713-928-3181 with any questions or write to: mcan-non@indeco-tx.com

ISA12, Electrical Equipment in Hazardous Locations. ANSI/ISA-60079-26 (12.00.03), Electrical Apparatus for Use in Class I, Zone 0 Hazardous (Classified) Locations, has been approved as an American National Standard and is now available.

[More...](#)

ISA12 and the US NEC®. During recent ISA12 committee meetings, the ISA12 National Electrical Code® (NEC®) Working Group met to discuss and make assignments for drafting some twelve proposals to be submitted by ISA to the 2011 Code Panel. Several ISA-submitted proposals were accepted into the 2008 NEC®.

[More...](#)

ISA95, Enterprise-Control System Integration. Reflecting review comments from an earlier ballot this year, ISA95's Part 1 revision draft standard, Models and Terminology, has been issued for a second committee ballot.

[More...](#)

ISA103, Field Device Tool Interface (FDT). ISA103 is seeking additional members, reports the chair, Ahmad Zahedi of Flowserve Corp.

[More...](#)

ISA Standards Library for Automation and Control, 2008 Edition. The updated CD includes more than 150 ISA standards, recommended practices, and technical reports.

[More...](#)

Standards Meetings at the [2008 ISA Spring Leaders Meeting](#), West Palm



ISA Houston Section 2008 Scholarship Program
Application

Applicant: _____
Address: _____
City, State, & Zip Code: _____
Applicant SSN: _____ Day Time Phone: _____
Current School: _____ Expected Graduation Date: _____
Plan to Attend/or Attend:
College/University: _____
Address: _____
City, State, & Zip Code: _____

_____ Completed Application
_____ Official Transcript
_____ 500 Word Essay
_____ Letter of Recommendation
_____ Not Previous Year Winner

Nominating Party: _____ Day Time Phone: _____
Relationship to Applicant: _____

Check dates of ISA Houston Section meetings/functions attended by nominator:

| | |
|---|---|
| _____ August 1, 2007 | _____ February 6, 2008 |
| _____ September 5, 2007 | _____ March 5, 2008 |
| _____ October 2, 2007 | _____ April 2, 2008 |
| _____ December 12, 2007 | _____ May 14, 2008 |
| _____ Fall Xhili Cook-off November 1, 2007 | _____ June 4, 2008 |
| | _____ Golf Tournament March 17, 2008 |

Signature of Applicant: _____

Please print or type and complete the entire application form. Mail, with postmark no later than June 20, 2008, completed application form with letter of recommendation, essay, and transcripts to:

ISA Houston Section
Attn: Chan Miller (cmiller@technip.com)
5757 Westheimer; Suite # 3
P.O.Box 207
Houston, Texas 77057



ISA – The Instrumentation, Systems, and Automation Society 2008 Scholarship Program, Houston Section

The Board of Directors of the ISA Houston Section has approved a program for scholarships to be awarded for the 2008/2009 academic school year. Everyone who is eligible is encouraged to participate. The requirements are as follows:

Scholarships are awarded to successful applicants who will attend an accredited technical school, college, or university **in the Fall 2008 and Spring 2009** semesters as a full time **undergraduate** student pursuing a minimum of 12 credit hours per semester.

Applicant must be nominated by someone who has attended a minimum of three (3) ISA Houston Section monthly meetings and or activities during the 2007/2008 ISA Houston Section fiscal year August 1, 2007 through June 4, 2008.

The applicant must compose and submit an essay of no less than 500 words (typed) describing his/her future goals and the contribution that a scholarship would make in achieving those goals.

The applicant must NOT be a recipient of any other Houston ISA scholarships in the current or the previous fiscal year. The ISA Houston Section scholarship will not be awarded to the same person in consecutive years.

The applicant's school registrar must submit an official copy of the applicant's latest high school or college transcript to the ISA Houston Section.

The applicant must submit a letter of recommendation from an individual familiar with the student (e.g. a teacher, coach, or minister) but not related (not a family member or guardian).

The applicant and/or nominating party is encouraged to attend the scholarship award meeting of the ISA Houston Section at the Houston Engineering and Scientific Society (HESS) facilities. (HESS location: 5430 Westheimer Way)

All scholarship payments will be submitted directly to the college or university where the scholarship recipient is enrolled to pay for normal tuition, enrollment fees, and textbooks for the specified school year.

Notes to applicants: To be considered, the application and associated documents must be postmarked **no later than June 20, 2008**. Scholarships will be awarded to applicants based upon the quality of the essay, high school or college grades, accomplishments, and the letter of recommendation. If there are any questions, contact Chan Miller at 281-249-2632 or any section officer listed in the section's newsletter.

Mail to: ISA Houston Section; Attn: Chan Miller
5757 Westheimer Suite # 3; P. O. Box 207; Houston, TX 77057
email: (cmiller@Technip.com)

Note: Official transcripts must be mailed by the applicant's school registrar directly to the ISA Houston Section.

Wendy K.B. Buskop
Managing Patent Attorney


THE B USKOP LAW GROUP, P.C.

Patents & Trademarks

1776 Yorktown Street—Suite 550 —Houston, Texas 77056
Phone 713.403.7411 Fax 713.275.3419
wendy@buskoplaw.com

ANDON
SPECIALTIES INC

CORPORATE OFFICE - HOUSTON
9255 Kirby Drive, Bldg 7
Houston, Texas 77054
P: 713-791-9800
F: 713-791-9805

 **ON-LINE ANALYZERS**

GAS: CO₂, Total Sulfur, H₂S
LIQUID: VOC s and Oil in Water
H₂S in Nonvolatile Liquids
Full Support for Houston Atlas Tracor

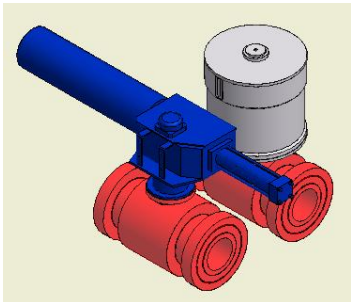
Analytical Systems Int'l KECO R&D
281-516-3950 281-351-8925 Fax
www.ASIWebPage.com Sales@ASIWebPage.com

| | | |
|--|---|--|
| <p>RTD Company RTD Bearing Sensors</p> <p>Honeywell Sensotec Pressure & Load Cells</p> <p>Kurz Instruments Combustion Air Flow</p> <p>Raytech Noncontact Temperature</p> <p>Fluke</p> | <p><i>Tough Applications</i></p> <p style="font-size: 2em; font-weight: bold; color: red;">TAGS</p> <p><i>Good Solutions</i></p> <p>713-477-9780 www.instrumenttags.com</p> | <p>SpectraSensors Moisture Analyzers</p> <p>Universal Analyzers Gas Sample Conditioning</p> <p>Marathon Sensors High Temperature O2</p> <p>Delta Instruments Calorimeters, Moisture, Pitot</p> <p>GE TOC Analyzer</p> |
|--|---|--|

The New Standard in Compact Valve Automation



(Floating) Platform - 3 valves with ATC Spring Return Actuators, closely installed on horizontal and vertical mounted valves



ATC versus traditional actuator



22" ANSI 1500# Hydraulically Operated Subsea SSIV



Reliability & Maintenance Free
+
Substantial Space Savings
+
Hydraulic & Pneumatic

ATC Actuator Technology Company
P.O. Box 271388
Houston, TX 77277-1388

T 713-661-8855
F 713-666-9466

E sales@actuator-technology.com
W www.actuator-technology.com

ISA Houston Section 2007-2008 Officers

Elected Officers

PRESIDENT

Doug Berry
Flow Solutions, Inc.
713-939-7000
Cell 713-410-8586
dberry@flowsolutionsinc.com

VICE PRESIDENT

Ken Belteau
Spectra Energy Transmission
713-627-4427
Cell 713-515-3758
krbelteau@spectraenergy.com

TREASURER

Paul Abernethy
GE Energy Control Solutions
713-397-9078
paul.abernethy@ge.com

Assistant Treasurer

Dale Merriman, CSAT
MerTech, Inc.
713-978-7765
Cell 713-203-9191
dcmerriman@mertechinc.com

SECRETARY

Mike Huereca
Rawson
713-684-1492
mike.huereca@rawsonlp.com

PROGRAM DIRECTOR

Mark Hurley
Flow Solutions
713-939-7000
mhurley@flowsolutionsinc.com

MEMBERSHIP DIRECTOR

Jim Gremillion
RTP Corp
832-260-6844
james@gremillionfamily.com

PUBLICITY DIRECTOR

Walt Clingo
Mustang Engineering
713-985-7345
whclingo@sbcglobal.net

EDUCATION DIRECTOR

Ardis Bartle
Apex Measurement & Control
713-446-1902
ardisbartle@earthlink.com

NEWSLETTER EDITOR

Bill Sullivan
Instrument TAGS
713-477-9780
bills@instrumenttags.com

WEB MASTER

Clifford Wuertz
Mustang Engineering
713-215-8741
Clifford.wuertz@mustangeng.com

PAST PRESIDENT

T.J. Tajani
Universal Ensco
713-354-6522
tajani@uei-houston.com

NATIONAL DELEGATE

John Campbell
Conoco Phillips
281-293-3349
john.campbell@conocophillips.com

ISA Houston Section 2007-2008 Officers

Appointed Officers

PARLIAMENTARIAN

Lester Kane
Gulf Publishing Co.
713-520-4485
kaneles@gulfpub.com

STANDARDS & PRACTICES

Michael D. Cannon
Industrial Equipment Co.
713-928-3181
mccannon@indeco-tx.com

SECTION-DIVISION LIAISON

L. M. "Dutch" Keen
Keen CSE, Inc.
713-436-9777
dutch.keen@sbcglobal.net

STUDENT SECTION LIAISON

Chan Miller
Technip
281-249-2632
cmiller@technip.com

ASST. STUDENT SECTION LIAISON

T.J. Tajani
Universal Ensco, Inc.
713-354-6522
tajani@uei-houston.com

ANALYSIS SUBSECTION LIAISON

Dale Merriman, CSAT
MerTech Incorporated
713-978-7765
dcmerriman@mertechinc.com

PIPELINE SUBSECTION LIAISON

Lika Zhonga
Universal Ensco
713-354-6361
Lzhonga@uei-houston.com

ICCS SUBSECTION LIAISON

Joseph James
281-286-4893
josephajames@sbcglobal.net

FALL PROGRAM CHAIR

Stacey Smith
Maverick Engineering
832-722-6580
Stacey.smith@maverickengineering.com

SPRING PROGRAM CO CHAIR

Michelle Blackburn
MRAMCO
281-433-1991
michelle@mramco.com

SPRING PROGRAM CO CHAIR

Bill Meeks
Flow Solutions
713-939-7000
bmeeks@flowsolutionsinc.com

PHOTOGRAPHER

Henry Troth
Jacobs Engineering
281-988-2944
htroth@pdq.net

COMMUNICATIONS LIAISON

MULTIMEDIA CHAIR

ASST. EDUCATION DIRECTOR

Mark Hurley
Flow Solutions
713-939-7000
markhurley@sbcglobal.net

ASST. MEMBERSHIP DIRECTOR

Mary Cannon
Tyco Valves & Controls
832-261-2451
mcannon@tycovalves.com

HOST COMMITTEE CO-CHAIR

Doug Zimmerman
Envalco-McJunkin
713-289-3980
dzimmerman@mcjunkin.com

HOST COMMITTEE CO-CHAIR

John Campbell
ConocoPhillips
281-293-3349
John.campbell@Conocophillips.com

Please feel free to call or email the officers listed above with any questions you may have, or for any assistance you need, or wish to offer. You can also send us an email through our website: www.houstonisa.org. Bookmark us in your browser and check our site monthly for the latest updates and announcements!

Newsletter Comments to bills@instrumenttags.com